

# ELECTRIC BRASS BALL VALVE TYPE LYVA 2

## FEATURES

The electric brass ball valve LYVA 2 is dedicated to the automatic shut-off of small sizes fluids clear, unloaded and viscous fluids. The LYVA full bore valve, is perfect for applications such as water treatment, HVAC, industry, OEM, etc. where a traditional solenoid valve is not suitable. The operation of the actuator with 2 wires automatic position return through capacitor (RC) makes its installation and use very easy. Low power consumption. The LYVA 2 has got the CSF certificate for food contact and the french ACS certificate for use on potable water.



## AVAILABLE MODELS

**LYVA 2** : brass body

**Sizes and connexions** : G 1/2" to G 2".

**Voltages** : 24 Vac-cc, 230 Vac.

**Wiring scheme** : CR202, 2 wires, automatic position return through capacitor.

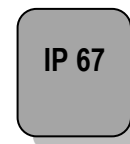
**Power cable** : 1,5 m

## LIMITS OF USE

Use forbidden on groupe I gases according to CE 2014/68 directive

Use forbidden in explosive area.

<b>Electric protection :</b>	IP 67
<b>PS fluid :</b>	0 - 10 bar up to 1" 0 - 6 bar from 1"1/4 to 1/2"
<b>ΔP max :</b>	10 bar up to 1" 6 bar from 1"1/4 to 1/2"
<b>TS fluid :</b>	0°C / +90°C
<b>TS ambient :</b>	-10°C / +55°C



## DIRECTIVES AND STANDARDS OF CONSTRUCTION

SUBJECT	Standard	SUBJECT	Standard
Pressure equipment CE 2014/68	Not submitted	Material grade	EN 1503-4
Low voltage directive CE 73/23	category I	Threaded connection	ISO 228
Food contact	NSF certificate	ACS potable water certificate	

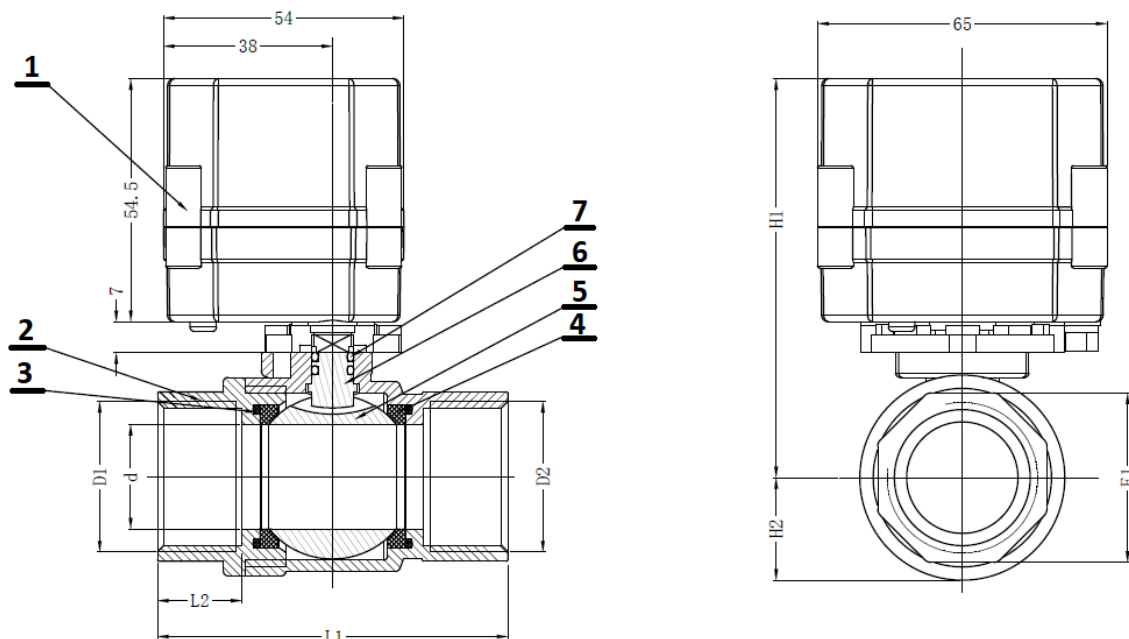
Information given as an indication only, and subject to possible modifications

	SECTORIEL S.A. 45 rue du Ruisseau 38290 SAINT QUENTIN-FALLAVIER – FRANCE Tél : +33 4 74 94 90 70 - Fax : +33 4 74 94 13 95 <a href="http://www.sectoriel.com">www.sectoriel.com</a> / Email : sectoriel@sectoriel.fr	Pages	1/3
	Ref.	FT8920 ENG	
	Rev.	07	
	Date	03/2023	

# ELECTRIC BRASS BALL VALVE TYPE LYVA 2

## CONSTRUCTION

N°	Item	Material
1	Actuator	Plastic PPO
2	Body	Brass CW617N
3	O-ring	EPDM
4	Seat	PTFE
5	Ball	Stainless steel 304
6	Stem	Brass CW617N
7	O-ring	EPDM



## DIMENSIONS (mm) AND WEIGHT (kg)

DN	d	L1	L2	E1	H1	H2	Weight (Kg)
G 1/2"	15	57	12	25	84	16	0,37
G 3/4"	20	66	14	31	87	19	0,47
G 1"	25	71	15	38	89	22	0,62
G 1 1/4"	31	102	25	47	126	31	0,81
G 1 1/2"	36	114	26	54	131	37	0,95
G 2"	47	130	27	66	144	45	1,15

## ELECTRIC FEATURES

Current	Voltages (V)					Frequency		Amperage	Power	Operating time	
Alternatif			24		110	230	50 Hz	60 Hz	< 500 mA	8 w	6 s
Continu	5	9	24	36							

Information given as an indication only, and subject to possible modifications

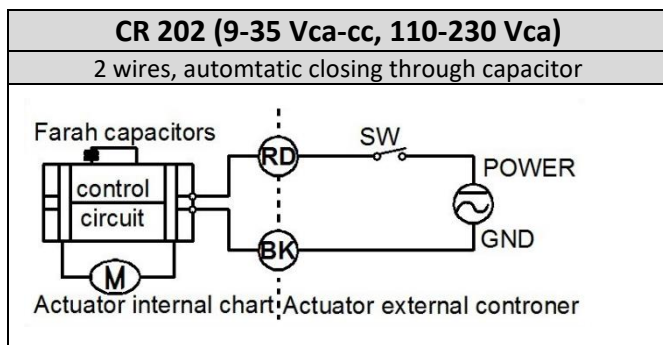


SECTORIEL S.A.  
45 rue du Ruisseau  
38290 SAINT QUENTIN-FALLAVIER – FRANCE  
Tél : +33 4 74 94 90 70 - Fax : +33 4 74 94 13 95  
[www.sectoriel.com](http://www.sectoriel.com) / Email : [sectoriel@sectoriel.fr](mailto:sectoriel@sectoriel.fr)

Pages	2/3
Ref.	FT8920 ENG
Rev.	07
Date	03/2023

# ELECTRIC BRASS BALL VALVE TYPE LYVA 2

## WIRING DIAGRAM



## INSTALLATION

All positions mounting excepted horizontal with pointing down actuator.

For a use on liquids, the installation of a upstream protection strainer is recommended.

## OPTIONS

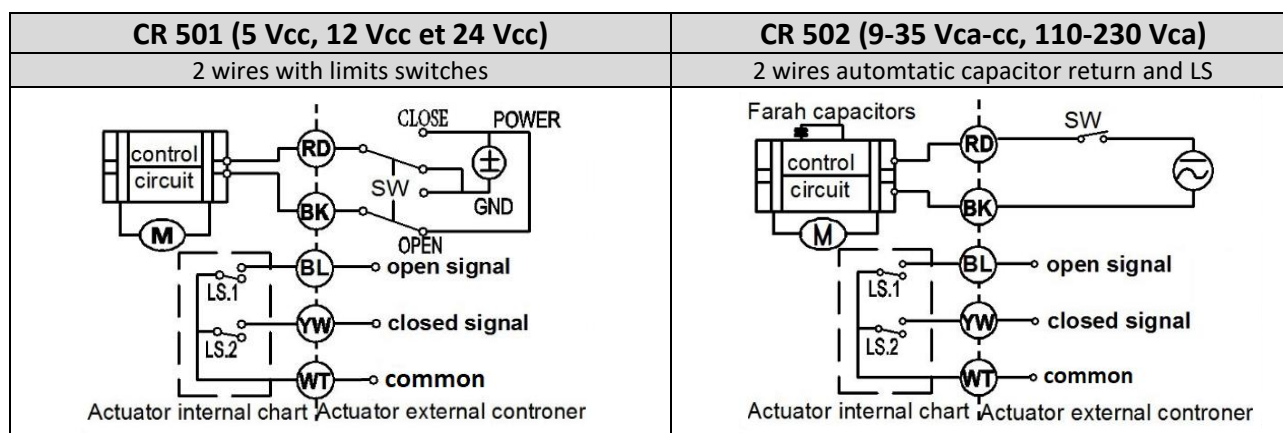
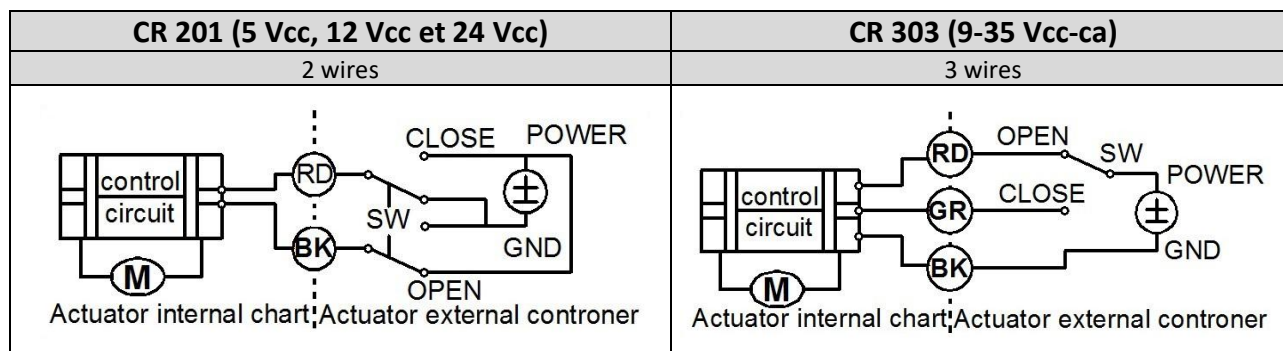
Other votages 5 Vcc, 9 Vcc, 36 Vcc, 110 Vca

Other wiring schemes (see below)

Manual override

Cover without position indicator

Normally open version (NO)



Information given as an indication only, and subject to possible modifications



SECTORIEL S.A.  
45 rue du Ruisseau  
38290 SAINT QUENTIN-FALLAVIER – FRANCE  
Tél : +33 4 74 94 90 70 - Fax : +33 4 74 94 13 95  
[www.sectoriel.com](http://www.sectoriel.com) / Email : [sectoriel@sectoriel.fr](mailto:sectoriel@sectoriel.fr)

Pages	3/3
Ref.	FT8920 ENG
Rev.	07
Date	03/2023