



Industry

Food industry

Pharmaceutical industry

Fastener

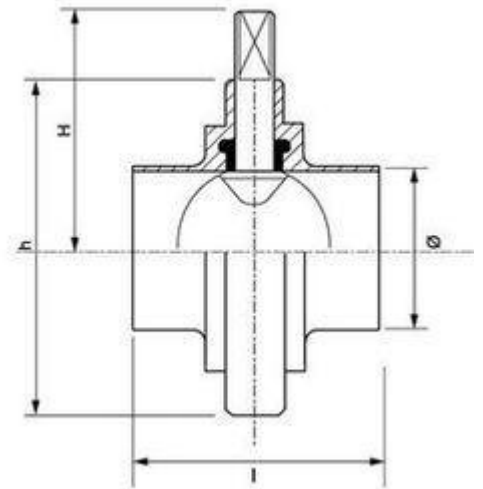
# FGinox

[www.fginox.com](http://www.fginox.com)

## Valves food industry → DIN Valves

### DIN BW / BW BUTTERFLY VALVES

*Delivered without handle*



#### A.4DINVPLL

| DN | Ø  | H    | h   | l  | Weight (kg) | Nature | Ref.       | Nature | Ref.       |
|----|----|------|-----|----|-------------|--------|------------|--------|------------|
| 25 | 28 | 61   | 79  | 68 | 0,83        | 304L   | 2DINVPLL28 | 316L   | 4DINVPLL28 |
| 32 | 34 | 64,3 | 85  | 76 | 0,83        | 304L   | 2DINVPLL34 | 316L   | 4DINVPLL34 |
| 40 | 40 | 74,3 | 90  | 76 | 0,98        | 304L   | 2DINVPLL40 | 316L   | 4DINVPLL40 |
| 50 | 52 | 77,6 | 105 | 80 | 1,23        | 304L   | 2DINVPLL52 | 316L   | 4DINVPLL52 |
| 65 | 70 | 84,3 | 125 | 82 | 1,43        | 304L   | 2DINVPLL70 | 316L   | 4DINVPLL70 |
| 80 | 85 | 91,4 | 137 | 84 | 2,03        | 304L   | 2DINVPLL85 | 316L   | 4DINVPLL85 |

Dimensions datas are subject to change. In case of imperative dimensional datas, please contact us.

FGinox 3 route de Lyon 69530 BRIGNAIS France

France : T. +33 (0)437 20 17 17 F. +33 (0)437 20 00 26 E. [commercial@fginox.fr](mailto:commercial@fginox.fr)

Export : T. +33 (0)437 20 17 00 F. +33 (0)437 20 21 95 E. [export@fginox.fr](mailto:export@fginox.fr)

SAS au capital de 490 000 Euros • N° Siret : 330 458 340 00065 • Naf : 4674A • N° ident. TVA FR 15330458340



Industry

Food industry

Pharmaceutical industry

Fastener

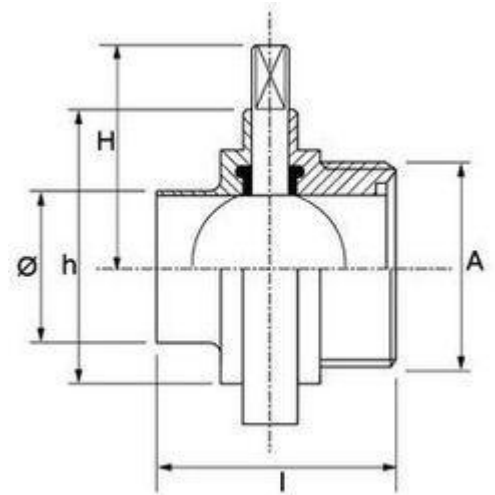
# FGinox

[www.fginox.com](http://www.fginox.com)

## Valves food industry → DIN Valves

### DIN BW / MALE BUTTERFLY VALVES

Delivered without handle



#### A.4DINVPLM

| DN  | ∅   | A       | H     | h   | l  | Weight (kg) | Nature | Ref.        | Nature | Ref.        |
|-----|-----|---------|-------|-----|----|-------------|--------|-------------|--------|-------------|
| 25  | 28  | 52x6F"  | 61    | 79  | 68 | 0,93        | 304L   | 2DINVPLM28  | 316L   | 4DINVPLM28  |
| 32  | 34  | 58x6F"  | 64,3  | 85  | 76 | 0,93        | 304L   | 2DINVPLM34  | 316L   | 4DINVPLM34  |
| 40  | 40  | 65x6F"  | 74,3  | 90  | 76 | 1,23        | 304L   | 2DINVPLM40  | 316L   | 4DINVPLM40  |
| 50  | 52  | 78x6F"  | 77,6  | 105 | 80 | 1,53        | 304L   | 2DINVPLM52  | 316L   | 4DINVPLM52  |
| 65  | 70  | 95x6F"  | 84,3  | 125 | 82 | 1,93        | 304L   | 2DINVPLM70  | 316L   | 4DINVPLM70  |
| 80  | 85  | 110x4F" | 90,6  | 137 | 84 | 2,44        | 304L   | 2DINVPLM85  | 316L   | 4DINVPLM85  |
| 100 | 104 | 130x4F" | 101,6 | 157 | 94 | 3,28        | 304L   | 2DINVPLM104 | 316L   | 4DINVPLM104 |

Dimensions datas are subject to change. In case of imperative dimensional datas, please contact us.

FGinox 3 route de Lyon 69530 BRIGNAIS France

France : T. +33 (0)437 20 17 17 F. +33 (0)437 20 00 26 E. [commercial@fginox.fr](mailto:commercial@fginox.fr)

Export : T. +33 (0)437 20 17 00 F. +33 (0)437 20 21 95 E. [export@fginox.fr](mailto:export@fginox.fr)

SAS au capital de 490 000 Euros • N° Siret : 330 458 340 00065 • Naf : 4674A • N° ident. TVA FR 15330458340



Industry

Food industry

Pharmaceutical industry

Fastener

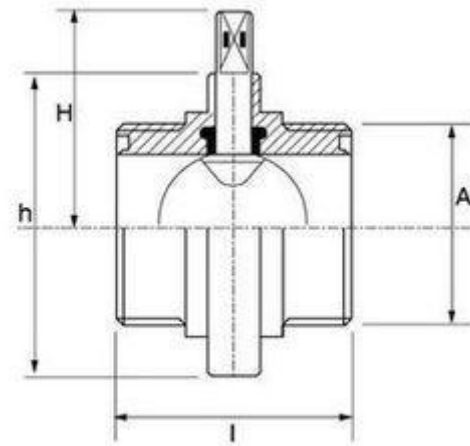
**FGinox**

[www.fginox.com](http://www.fginox.com)

**Valves food industry → DIN Valves**

**DIN MALE / MALE BUTTERFLY VALVES**

*Delivered without handle*



**A.4DINVPMM**

| DN  | ∅   | A       | H     | h   | l  | Weight (kg) | Nature | Ref.        | Nature | Ref.        |
|-----|-----|---------|-------|-----|----|-------------|--------|-------------|--------|-------------|
| 25  | 28  | 52x6F"  | 61    | 79  | 68 | 0,93        | 304L   | 2DINVPLM28  | 316L   | 4DINVPLM28  |
| 32  | 34  | 58x6F"  | 64,3  | 85  | 76 | 0,93        | 304L   | 2DINVPLM34  | 316L   | 4DINVPLM34  |
| 40  | 40  | 65x6F"  | 74,3  | 90  | 76 | 1,23        | 304L   | 2DINVPLM40  | 316L   | 4DINVPLM40  |
| 50  | 52  | 78x6F"  | 77,6  | 105 | 80 | 1,53        | 304L   | 2DINVPLM52  | 316L   | 4DINVPLM52  |
| 65  | 70  | 95x6F"  | 84,3  | 125 | 82 | 1,93        | 304L   | 2DINVPLM70  | 316L   | 4DINVPLM70  |
| 80  | 85  | 110x4F" | 90,6  | 137 | 84 | 2,44        | 304L   | 2DINVPLM85  | 316L   | 4DINVPLM85  |
| 100 | 104 | 130x4F" | 101,6 | 157 | 94 | 3,28        | 304L   | 2DINVPLM104 | 316L   | 4DINVPLM104 |

Dimensions datas are subject to change. In case of imperative dimensional datas, please contact us.

**FGinox 3 route de Lyon 69530 BRIGNAIS France**

France : T. +33 (0)437 20 17 17 F. +33 (0)437 20 00 26 E. [commercial@fginox.fr](mailto:commercial@fginox.fr)

Export : T. +33 (0)437 20 17 00 F. +33 (0)437 20 21 95 E. [export@fginox.fr](mailto:export@fginox.fr)

SAS au capital de 490 000 Euros • N° Siret : 330 458 340 00065 • Naf : 4674A • N° ident. TVA FR 15330458340